

# COMPARISON:

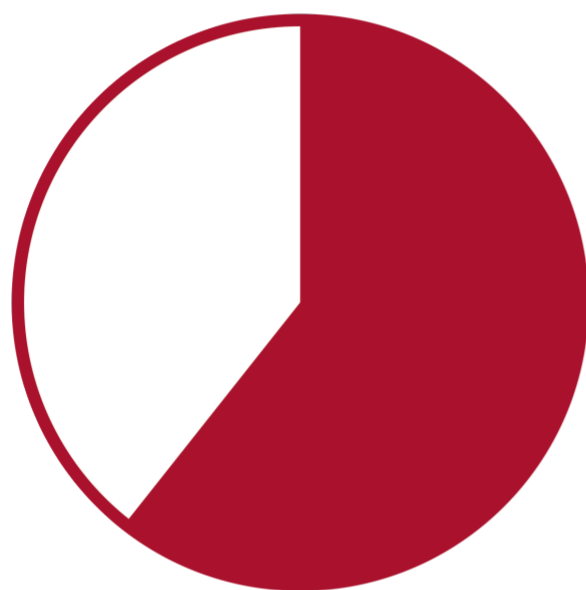
## Welded Fittings vs T-DRILL Collaring & Flanging

### TRADITIONAL

#### Orbital Weld Fittings

- 4 Flange fittings
- 2 T-fittings
- 5 Pieces of Pipe
- 10 Weld Joints

7 hours 20 mins Labor

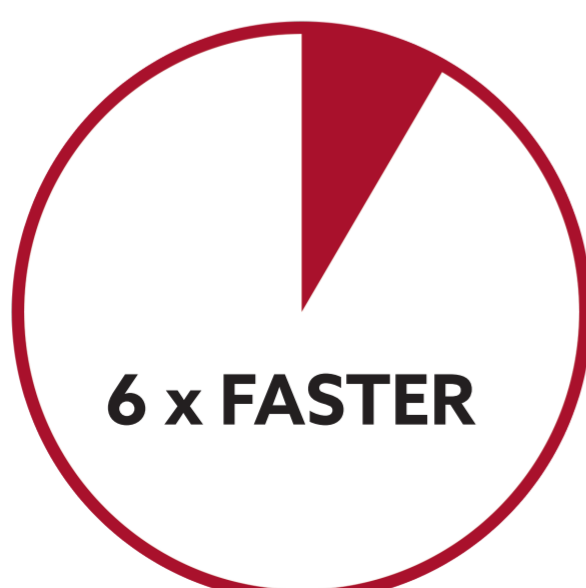


### T-DRILL

#### Collaring & Flanging + Orbital Welding

- 3 Pieces of Pipe
- 2 Weld Joints

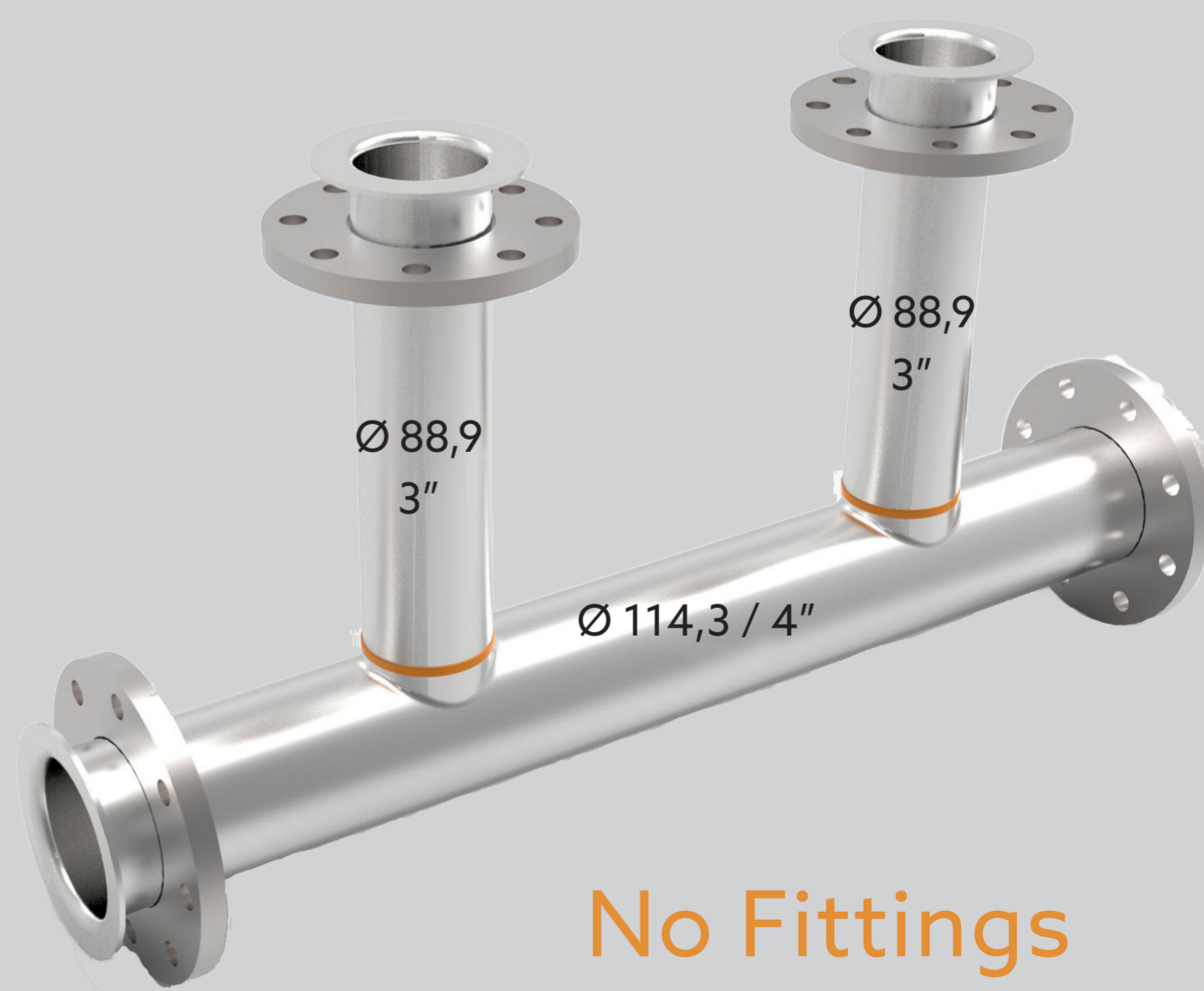
1 hour 5 mins Labor



10 Weld Joints

# T-DRILL

PRODUCTIVITY AS A PRODUCT.



No Fittings  
Only 2 Joints



Scan to watch!



or visit [www.t-drill.fi/comparison](http://www.t-drill.fi/comparison)